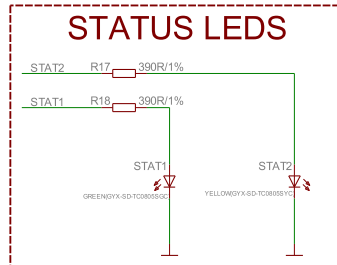
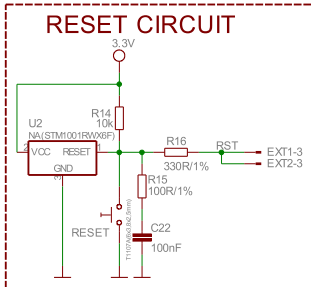
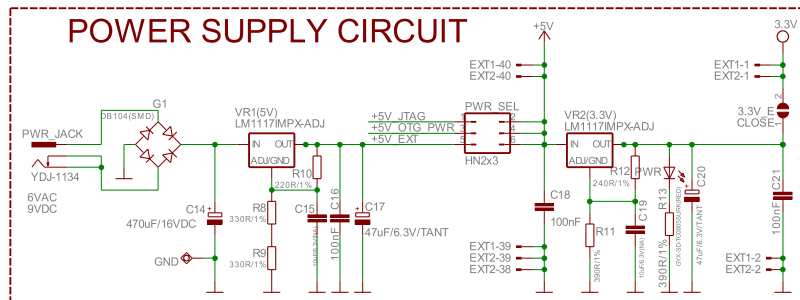
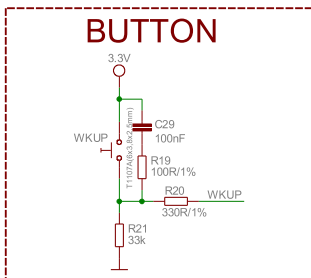
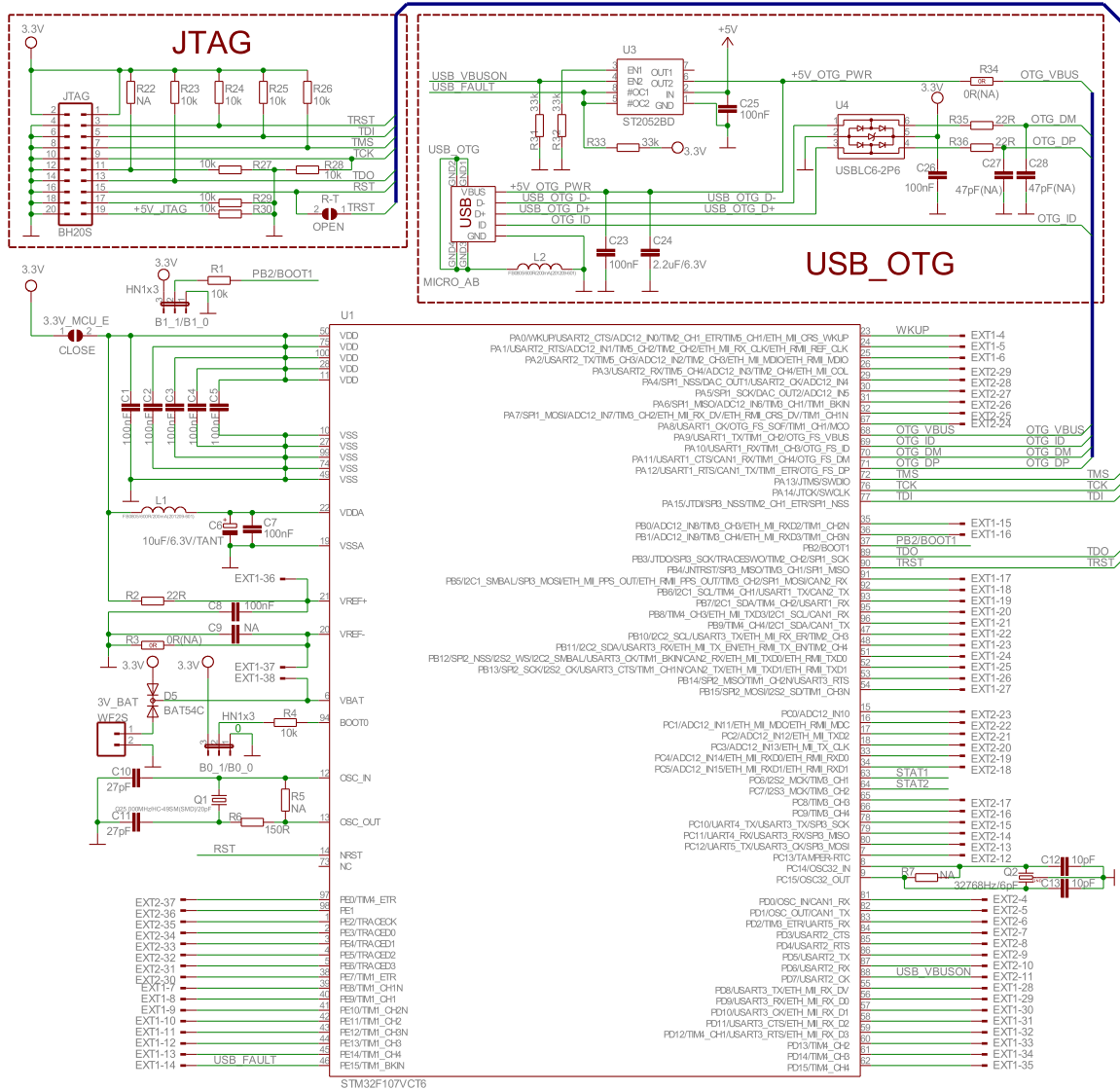


# SCHEMATIC



## STM32-H107

Rev. Initial  
 COPYRIGHT(C), 2009  
<http://www.olimex.com/dev>